

Bürkert Systemhaus—Where Your Ideas Feel Right at Home



bürkert
FLUID CONTROL SYSTEMS

Bürkert Fluid Control Systems
Christian-Bürkert-Straße 13-17
74653 Ingelfingen
Germany
Tel. +49 (0) 7940/10-0
Fax +49 (0) 7940/10-91-204
info@burkert.com
www.burkert.com



We Help Your Ideas Flow

Bürkert has a unique perspective in the process control and instrumentation industry as we are the only single brand which combines a complete range of valves, instruments, pneumatic actuation, networking and controllers from a single source.

Our portfolio encompasses more than 30,000 products. But if that's not enough, we are at your side as an experienced system provider and as a trusted partner.

With our dedicated world-class engineers and our superlative manufacturing facilities we can deliver systems which meet your exact requirements. Bürkert's Systemhaus team members are flexible, open minded, empowered, real people who have the ability to listen and communicate in the language required to design successful application environments including Hygienic Processing, Gas Handling, Cooling, Water Treatment, MicroFluidics and Steam.

Our global understanding is strengthened by cultural diversity and by the creation of an environment where real value added innovation can happen every day. Bürkert has had 60 years to build the technical competencies which offer reliability, speed, and personal care into every system.

Your reliable Bürkert sales consultant and our system engineers work in concert to ask the right questions and provide the right hardware. Transparent operations, up-to-date situation, review procedure, engineering change notices, portals through SAP and secure intranet are all standard in our projects.

Our project management capabilities are second to none. We integrate our own components, which we know intimately, into specific systems, within budget and according to expectations. Processes which have been continuously improved to increase project security are at the heart of our promise.

For a world class system experience, insist on Bürkert people to be part of your next project.

Systemhaus Ingelfingen GERMANY



Systemhaus Dortmund GERMANY



Systemhaus Dresden GERMANY



Systemhaus Suzhou CHINA



Systemhaus Charlotte USA





CONNECT

01
02
03
04
05

The Vital Ingredient: Our People

As a globally flexible, lean, focussed and innovative company we are the partner of choice for fluid control systems in more than 35 countries.

Whether you are in Stuttgart, Singapore, Chicago or Sydney, everywhere in the world, we are close to you and therefore know at first-hand about your specific tasks and problems.

Following our principle of "one face to the customer", you have a competent, reliable consultant by your side at all times, who listens to your needs and presents a solution in your daily application language ... crossing conventional boundaries and creating synergies between industries in pursuit of your ideal solution.

Systemhaus crews in Charlotte/USA, Suzhou/China, Dresden, Ingelfingen and Dortmund are continuously in innovation mode. They creatively engineer cost-effective solutions to meet difficult process challenges for our customers around the globe.

Listening skills are our key advantage.

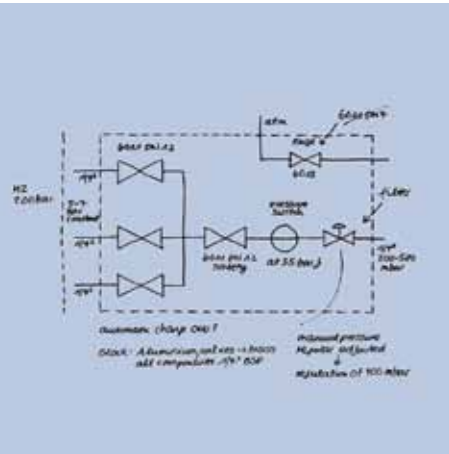


Discussing and defining project issues with the customer.



Knowing and understanding the customer's needs.





From the first draft on paper ...



... to the first 3D models ...



... the right people are on the job for you.

Thinking Out of the Box ... Every Day

Your designated project team starts working for you: from your reliable sales consultant, qualified industry specialists to dedicated system engineers—Bürkert puts the necessary experts together for you.

For the entire duration of the project they then work together, combining their experience and clarifying all the requirements in close cooperation with you to come up with a feasible draft of your solution within the shortest timeframe.

CAD-created animations or simulations, combined with extended manufacturing, materials, tool design, construction and assembly knowledge enable us to provide a rough but firm production concept for your system at an early stage.



01
 02
 03
 04
 05

CONCEIVE & INNOVATE



PLAN & SPECIFY

03

01
02
04
05

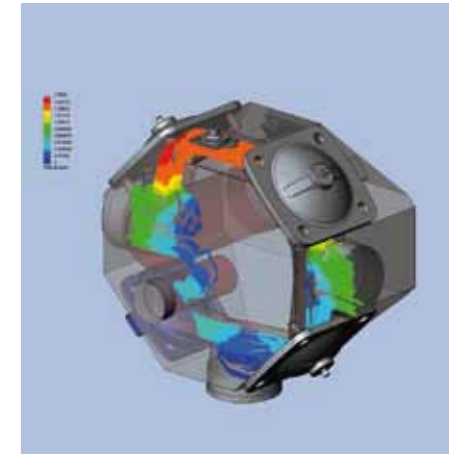
Your Solution Comes to Life

In Phase 3, the project is planned in detail. A specification sheet and refined solution concept are developed. This defines exactly what you expect from the system and what it must provide to ensure that all components meet your requirements.

At the end of this phase you are presented with a detailed product definition, a production specification and precise commercial conditions and agreements.

Structured project management based on open communication, effective coordination and thorough documentation ensures fast and reliable results.

Detailed product definition is made possible with the help of in-house simulation and flow calculation.



Technical documentation at every step ensures easy hand-over to production.



Constant, open communication secures your approval and validation of the concept.





With the help of the latest rapid prototyping tools, a functional model of the concept can be tested.



Your product is tested and the engineering data is available and ready to be handed over to the factories for production.



Serial production is ready. Quality is checked and re-checked according to your specifications.

Series Production in Sight. Just for You.

Good communication, coordination and documentation at all project phases make sure that we are on the right track, developing the right solution to allow us to quickly move on to prototyping.

Thanks to the latest technology, we are able to build a prototype made of metal or plastic, or a functional model to test flow for example, within 24 hours.

We provide you with samples; we perform tests and, of course, obtain all the necessary local and global approvals to make sure the system can go to production.

Your system goes into production at one of our production facilities in Ingelfingen, Gerabronn, Öhringen, Criesbach or Triembach, according to the manufacturing competencies needed.



01
02
03
04
05

DO & CHECK



COMPLETE

01
02
03
04

05

Care ... Included.

Our work does not end with the perfect delivery of components and systems. We offer a comprehensive programme to our global clients interlinking services ranging from maintenance and service contracts, operator training and integrated logistics.

Our customer service is available around the clock, offering support through Internet, telephone or our qualified, experienced people at your site.

We aim to provide only the utmost in customer experience—something you will tell your friends about.

We know every component of every system intimately.



On-site installation and calibration around the globe.



Integrated systems are backed up by our highly trained technical support.



Some space to build your own system ...

magic

sensors

transmitters

EXPERIENCE

manifolds

COURAGE

valves

certification

systems

certification

controllers

engineering

excellence

project management

CLOSENESS